

MO420: 4÷20mA analog output module

MO420 modules allow transmitting analog signals through the **CONTATTO** bus. The output of this module is 4÷20mA type. MO420 module converts the 8 bits digital code received through the bus in the proper analog level.

MO420 analog output modules have a front 3-terminal block; 8 red LEDs on the front side show the percentage of signal (0÷100%) applied to the output.

On the top of the module a 5-terminal block allows the connection to the 4 wire bus; the 5th terminal is used by the addresses programmer only.

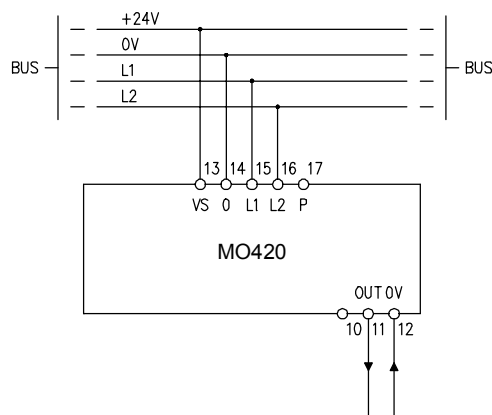
A front label allows to write the programmed module address for an immediate visual identification.

Address programming

For proper operation, an output address in the range 1 to 127 has to be assigned to MO420 module using FXPRO programmer.

Wiring diagram

The following diagram shows the connections from the module to the bus and the output signal connection to the front terminal block.



Note: the output section is not electrically insulated from the bus supply

Technical characteristics

Supply voltage	24V \pm 25% SELV
MAX current consumption	60mA
Output signal	4 ÷ 20mA
Resolution	62.5µA (8bit)
Linearity	\pm 1 LSB
MAX output impedance	500Ω
Operating temperature	-10 ÷ +50 °C
Storage temperature	-30 ÷ +85 °C
Protection degree	IP20

Outline dimensions

