

MOAN/U: 0÷10V analog output module

MOAN/U analog output modules allow transmitting analog signals through the system bus. Both 0÷10V and 0÷5V outputs are provided at the terminal block.

MOAN/U module converts the 8 bits digital code received through the bus in the proper analog level.

MOAN/U analog output modules have a front 3-terminal block; 8 green LEDs on the front side show the percentage of signal (0÷100%) applied to the output.

On the top of the module a 5-terminal block allows the connection to the 4 wire bus; the 5th terminal is used by the addresses programmer only.

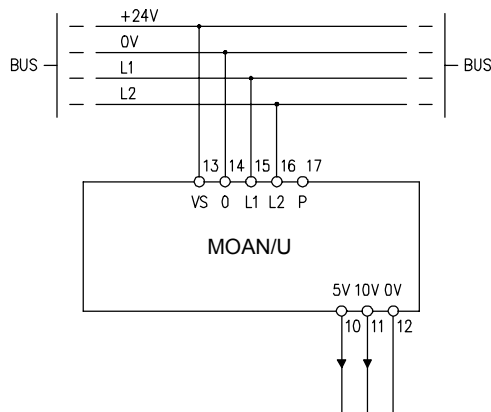
A front label allows to write the programmed module address for an immediate visual identification.

Address programming

For proper operation, an output address in the range 1 to 127 has to be assigned to MOAN/U module using FXPRO programmer.

Wiring diagram

The following diagram shows the connections from the module to the bus and the output signals connection to the front terminal block.



Note: the output section is not electrically insulated from the bus supply.

Technical characteristics

Supply voltage	24V \pm 25% SELV
MAX current consumption	45mA
Output signal	0 ÷ 10Vdc e 0 ÷ 5Vdc
Resolution 0 ÷ 10V output	39mV (8bit)
Resolution 0 ÷ 5V output	19.6mV (8bit)
Linearity	\pm 1 LSB
MAX output current	10mA
Operating temperature	-10 ÷ +50 °C
Storage temperature	-30 ÷ +85 °C
Protection degree	IP20

Outline dimensions

