

**MOD8IL: 8 digital input – 8 LED output module for wall box**

MOD8IL module allows, through the **CONTATTO** bus, the acquisition of 8 ON-OFF signals and the driving of 8 LEDs.

The small dimensions of MOD8IL module allow the positioning directly in the standard wall box (503 or similar), on the back of the command switches or pushbutton; thanks to this feature, it is possible to use the switching devices of the preferred manufacturer.

A 4-pole terminal block allows the connection to the **CONTATTO** bus; the module also provides two connectors (OUT and IN) for the connection to the switching devices and to the LEDs using the supplied cable assemblies. The PRG connector is needed for the programming of module address.

A green LED on the front panel reports the power-on condition.

The operation of the 8 LED outputs may be freely defined by the standard functions of **CONTATTO** system.

**Address programming**

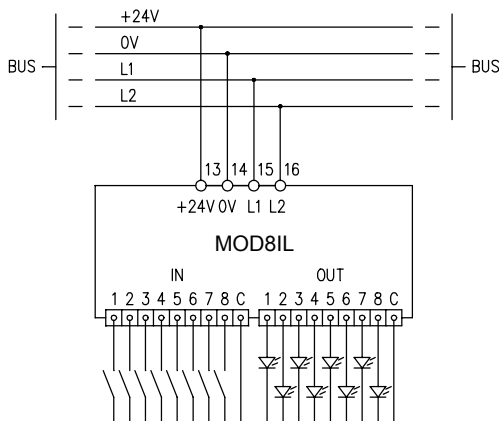
MOD8IL module takes 1 input address and 1 output address; input and output addresses can be chosen coincident or not.

The addresses must be assigned by the FXPRO programmer using the proper programming cable inserted in the connector named PRG.

Two white labels on the front panel allow to make note of assigned addresses for an immediate visual identification.

**Wiring diagram**

The switching devices (pushbuttons, switches or other) must be connected to the module using one of two provided cable assemblies; the wires may be cut according to the requirements of the application. The other cable assembly must be used to connect the LEDs, taking care of the correct polarity as shown in the schematic; the current limiting resistors for the LEDs are included in the module, therefore no additional external components are needed.



**Technical characteristics**

Supply voltage	24V $\pm$ 25% SELV
MAX current consumption	55mA
Inputs	8 for potential free contacts
Current for each input (closed contact)	1mA
LED outputs	8
Available current for each LED output	3.5mA internally limited
Operating temperature	-10 $\div$ +50 °C
Storage temperature	-30 $\div$ +85 °C
Protection degree	IP20

**Accessories**

Under request, it is available a polycarbonate panel with 8 membrane pushbuttons and 8 integrated LED; this assembly allows to set-up, in a quick and simple way, a complete control panel that may be easily installed in the standard wall box (503 or similar). This panel also allows an easier customizing by inserting a paper label with the desired texts or symbols.

**Outline dimensions**

