

## MODINP2/A – MODINP2/C

### MODINP2/A: 8 digital input module for NO contacts

MODINP2/A modules allow to transmit, through the Contatto bus, 8 ON-OFF signals derived, e.g., from push-buttons, limit switches, proximity switches, etc.

MODINP2/A modules perform the capability to supply the input contacts both by an internal reference or by an external 10V to 40Vdc supply, providing galvanic insulation of the input section from the remaining part of the system. This capability makes easy and safe the interfacing to other systems as PLCs.

MODINP2/A input modules have a front 12 terminal block and a green LED showing the power on condition.

On the top of the module a 5 terminal block allows the connection to the 4 wire bus; the 5th terminal is used by the addresses programmer only.

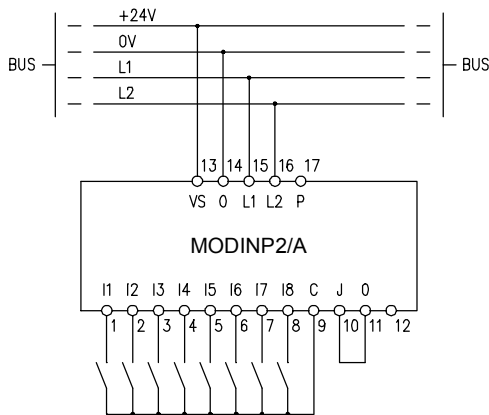
A front label allows to write the programmed module address for an immediate visual identification.

### Address programming

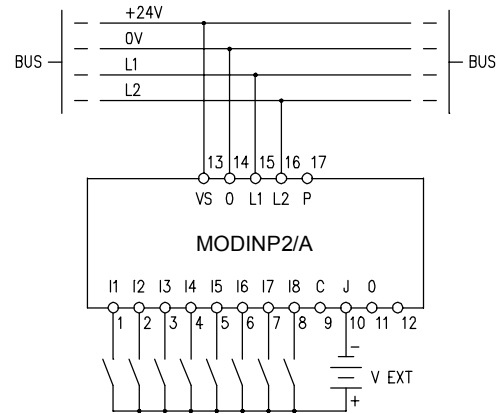
For proper operation, an input address in the range 1 to 127 has to be assigned to MODINP2/A module using FXPRO programmer.

### Wiring diagram

MODINP2/A modules allows 2 kinds of connections. In the first case the module is connected to potential free contacts powered by the reference voltage at the terminal 9; in this case, terminals 10 and 11 have to be connected together as in the following diagram.



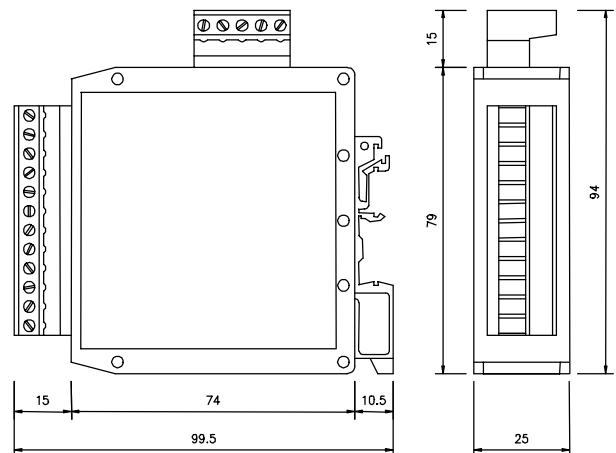
In the second case the input section of the module is powered by an external dc supply (+10Vdc to +40Vdc) that is electrically insulated from the system power supply. In this case connect as in the following diagram.



### Technical characteristics

Supply voltage	24V $\pm$ 25% SELV
MAX current consumption	50mA
Current for each input	5mA @ 24Vdc
Allowed input voltage	10 ÷ 40Vdc
Operating temperature	-10 ÷ +50 °C
Storage temperature	-30 ÷ +85 °C
Protection degree	IP20

### Outline dimensions



## MODINP2/A – MODINP2/C

### MODINP2/C: 8 digital input module for NC contacts

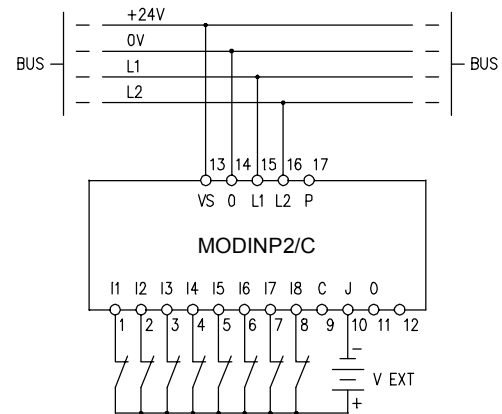
MODINP2/C modules allow to transmit, through the Contatto bus, 8 ON-OFF signals derived, e.g., from push-buttons, limit switches, proximity switches, etc.

MODINP2/C modules perform the capability to supply the input contacts both by an internal reference or by an external 10V to 40Vcc supply, providing galvanic insulation of the input section from the remaining part of the system. This capability makes easy and safe the interfacing to other systems as PLCs.

MODINP2/C input modules have a front 12 terminal block and a green LED showing the power on condition.

On the top of the module a 5 terminal block allows the connection to the 4 wire bus; the 5th terminal is used by the addresses programmer only.

A front label allows to write the programmed module address for an immediate visual identification.

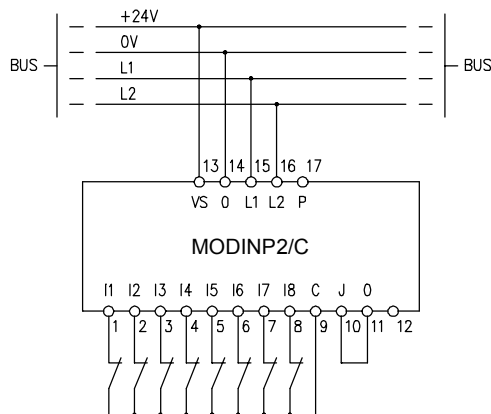


### Address programming

For proper operation, an address in the range 1 to 127 has to be assigned to MODINP2/C module using FXPRO programmer.

### Wiring diagram

MODINP2/C modules allow 2 kinds of connections. In the first case the module is connected to potential free contacts powered by the reference voltage at the terminal 9; in this case, terminal 10 and 11 have to be connected together as in the following diagram.



In the second case the input section of the module is powered by an external dc supply (+10Vdc to +40Vdc) that is electrically insulated from the system power supply. In this case connect as in the following diagram.

### Technical characteristics

Supply voltage	24V $\pm$ 25% SELV
MAX current consumption	50mA
Current for each input	5mA @ 24Vdc
Allowed input voltage	10 ÷ 40Vdc
Operating temperature	-10 ÷ +50 °C
Storage temperature	-30 ÷ +85 °C
Protection degree	IP20

### Outline dimensions

