

MODPNP: 8 positive logic (PNP) “open collector” digital output module

MODPNP modules allow to transmit, through the Contatto bus, 8 ON-OFF signals to drive relays, small lamps, LEDs, etc.

MODPNP output modules have a front 12-terminal block; the max current for each output is 300mA. On a side of the front terminal block, 8 red LEDs show the status of the outputs; a green LED show the power on condition.

On the top of the module a 5 terminal block allows the connection to the 4 wire bus; the 5th terminal is used by the addresses programmer only.

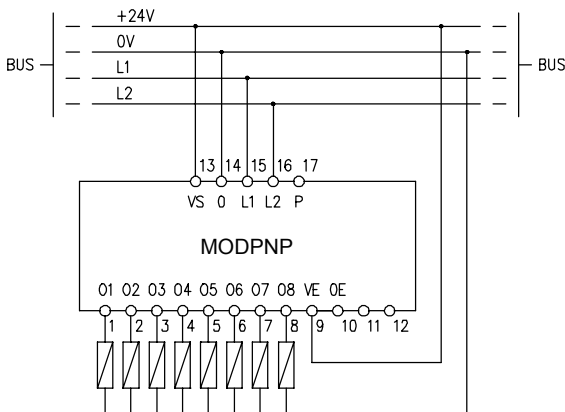
A front label allows to write the programmed module address for an immediate visual identification.

Address programming

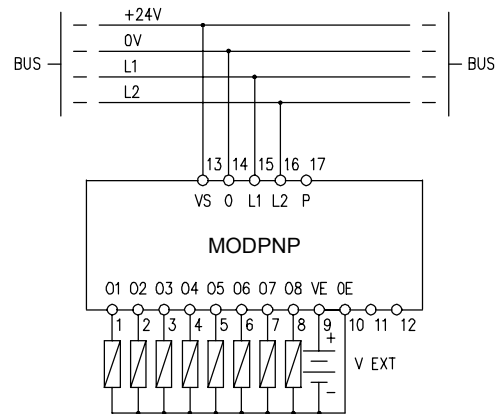
For proper operation, an output address in the range 1 to 127 has to be assigned to MODPNP module using FXPRO programmer.

Wiring diagram

The loads connected to MODPNP module must be "dc loads" only. Two connection modes are allowed: the following diagram refers to the case where the loads are supplied by the same power supply of **CONTATTO** system.



The following diagram refers to the case where the loads are supplied by an additional power supply (which voltage must be in the range 5 to 40Vdc).



Note: the electrical insulation between the output section and the bus supply cannot be achieved.

Technical characteristics

Supply voltage	24V ± 25% SELV
MAX current consumption	25mA
MAX current for each output	300mA
MAX output voltage	40Vdc
Operating temperature	-10 ÷ +50 °C
Storage temperature	-30 ÷ +85 °C
Protection degree	IP20

Outline dimensions

