

MOD 2-2R : 2 digital input and 2 power relay output module

MOD2-2R modules allow to group in a single box 2 digital inputs and 2 relay outputs (1 changeover contact each one). The input contacts can be supplied by the same +24V of the bus.

MOD2-2R modules have 9-pole terminal blocks, both for the input and the loads connections; 2 red LEDs report the output status, 2 red LEDs report the input status and a green LED reports the module's power-on condition. A 5-pole terminal block allows the connection to the 4 wire bus; the 5th terminal is used by the addresses programmer only.

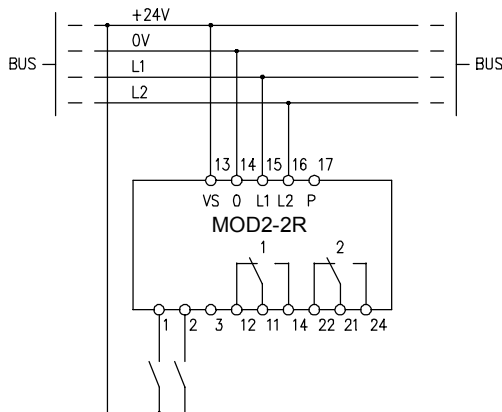
Two labels on the front panel are reserved to write the input and output addresses programmed in the module for an immediate visual identification.

Address programming

For proper operation, one input and one output address in the range 1 to 127 has to be assigned to MOD2-2R module using FXPRO programmer. The input and the output addresses may be the same or they can be different each one to the other.

Wiring diagram

The following diagram show a typical connection of MOD2-2R module.



Note: the input section cannot be electrically insulated from the bus power supply.

Technical characteristics

Supply voltage	24V \pm 25% SELV
MAX current consumption	90mA
Operating temperature	-10 \div +50 °C
Storage temperature	-30 \div +85 °C
Protection degree	IP20

Input section

Current for each input	5mA @ 24Vdc
Allowed input voltage	10 \div 40Vdc

Output section

Contact rating	12A @ 250Vac cos Φ =1
MAX switching current	30A (500ms)
MAX peak current	150A (20ms)
Nominal power	3000VA

MAX contact rating

Fluorescent lamps cos Φ =1	750W
Fluorescent lamps cos Φ <1	1000W
Incandescent lamps	2000W
Halogen lamps	2000W
Metal iodure lamps	150W

WARNING: connection of capacitive loads or loads with power factor correction capacitor on normally closed contacts of relays must be absolutely avoided. Above characteristics are guaranteed for normally open contacts only.

Outline dimensions

