

MOD4-4 : 4 digital input and 4 digital output module

MOD4-4: modules allow to group in a single box 4 digital inputs and 4 PNP open collector outputs. MOD4-4 performs the capability to supply the input contacts both by an internal reference or by an external 10V to 40Vdc supply, allowing the electrical insulation of the input section from the remaining part of the system. This capability makes makes easy and safe the interfacing to other systems as PLCs.

The max current for each output is 300mA.

MOD4-4 modules have a front 12-terminal block; on a side of the front terminal block, 4 red LEDs show the status of the outputs; an additional green LED show the power on condition.

On the top of the module a 5-terminal block allows the connection to the 4 wire bus; the 5th terminal is used by the addresses programmer only.

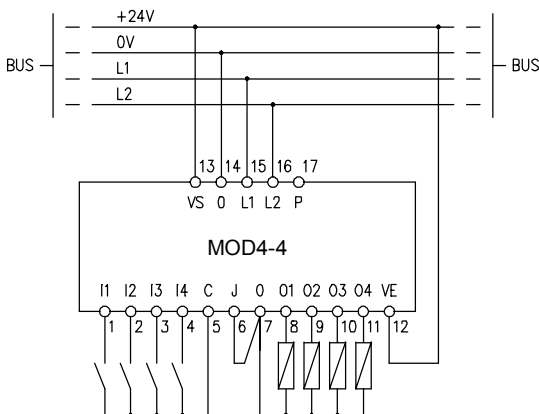
A front label allows to write the programmed module address for an immediate visual identification.

Address programming

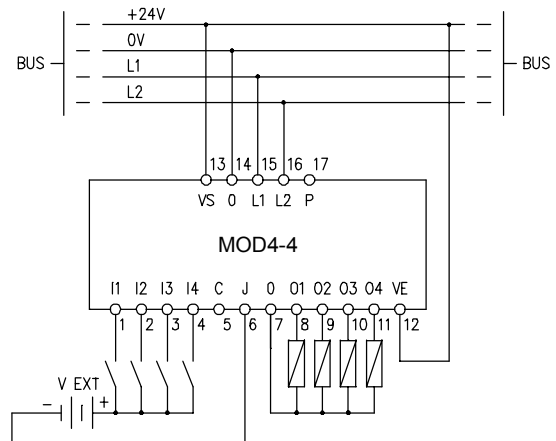
For proper operation, one input and one output address in the range 1 to 127 has to be assigned to MOD4-4 module using FXPRO programmer. The input and the output addresses may be the same or they can be different each one to the other.

Wiring diagram

The input section of MOD4-4 module allows 2 kinds of connections. In the first case the module is connected to potential free contacts powered by the reference voltage at the terminal 5; in this case, terminals 6 and 7 have to be connected together as in the following diagram.

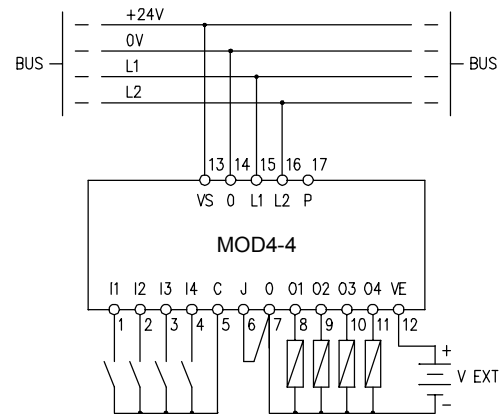


In the second case the input section of the module is powered by an external dc supply (+10Vdc to +40Vdc) that is electrically insulated from the system power supply. In this case connect the input section as in the following diagram.



The loads connected to MOD4-4 module must be "dc loads" only. Two connection modes are allowed: the previous two diagrams refer to the case where the loads are supplied by the same power supply of CONTATTO system.

The following diagram, instead, refers to the case where the loads are supplied by an additional power supply (which voltage must be in the range 5 to 40Vdc).



Note: the electrical insulation between the output section and the bus supply cannot be achieved.

Technical characteristics

Supply voltage	24V ± 25% SELV
MAX current consumption	30mA
MAX current for each output	300mA
MAX output voltage	40Vdc
Current for each input	5mA @ 24Vdc
Allowed input voltage	10 ÷ 40Vdc
Operating temperature	-10 ÷ +50 °C
Storage temperature	-30 ÷ +85 °C
Protection degree	IP20

Outline dimensions

