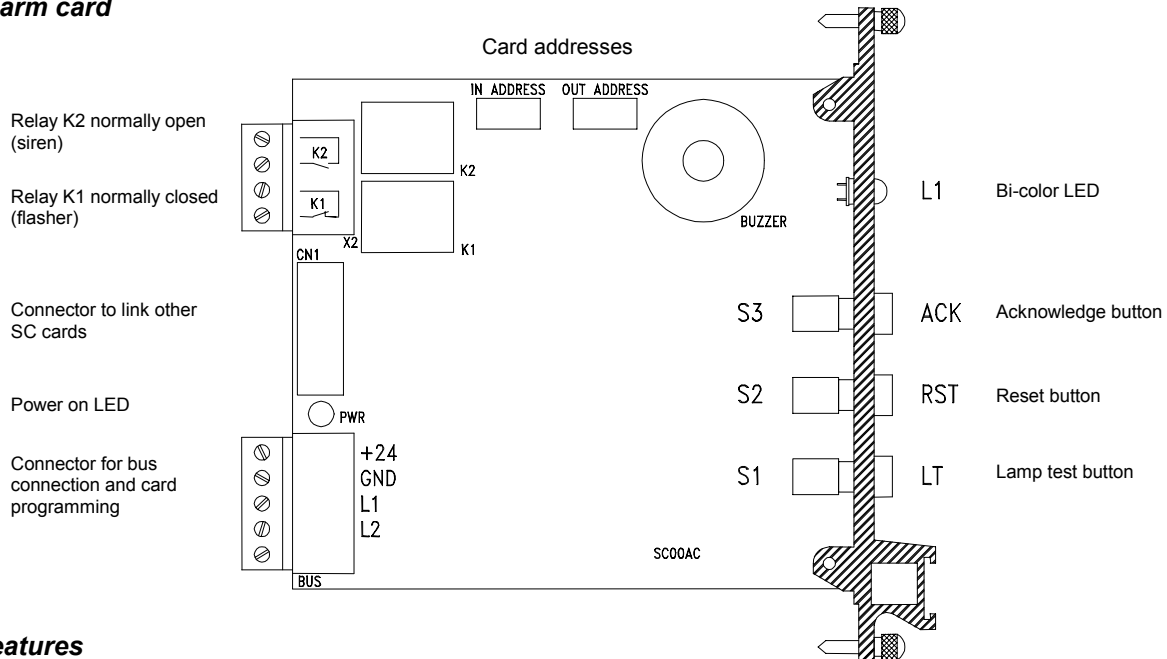
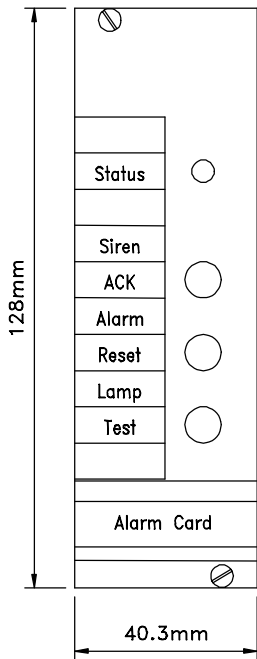


Card mod. SC00AC

Alarm card



Features



- S1, S2, S3: pushbuttons for lamp test, reset and acknowledge
- L1: bi-color LED
- K1: normally closed contact relay (flasher)
- K2: normally open contact relay (siren)
- CN1: connector to link other cards of the SC family using the proper flat cable
- PWR: LED signalling the power on condition
- BUS: terminal block for card programming and for the connection to the 4-wire bus
- BUZZER: acoustic signal (ON in alarm condition)

On the top of the card, 2 white labels allow to write, by a permanent marker, the addresses (input and output) of the card.

The card handles the following points as *inputs* (in other words the status of these points can be acquired via bus):

- S1 (*lamp test*): input 1 (active when the button is pushed)
- S2 (*reset*): input 2 (active when the button is pushed)
- S3 (*tacitazione*): input 3 (active when the button is pushed)
- BUZZER: input 4 (active when the siren and the buzzer are ON)
- FLASHER: input 5 (active when the flasher is ON)

The card handles the following points as *outputs* (in other words the status of these points can be forced via bus):

- S1 (*lamp test*): output 1 (when ON it forces a remote lamp test)
- S2 (*reset*): output 2 (when ON it forces a remote reset)
- S3 (*tacitazione*): output 3 (when ON it forces a remote acknowledge)
- Alarm: output 8 (when ON it forces the start of alarm sequence switching ON the flasher, buzzer, external siren and flashing the LED in red color)

Operation

SC00AC card operates in a way similar to ISA-M sequence. During normal operation (no alarm present), LED L1 is green lighted. Pressing S1 pushbutton, all cards connected to SC00AC through the proper flat cable blink alternatively in red and green color. When an alarm on a connected card occurs, LED L1 will blink in red color, the buzzer will be

switched ON, the relay K1 will be de-energized and relay K2 will be energized. Pressing acknowledge pushbutton S3, the LED will be constantly red lighted, the BUZZER will be switched OFF and relay K2 will be de-energized (siren OFF).

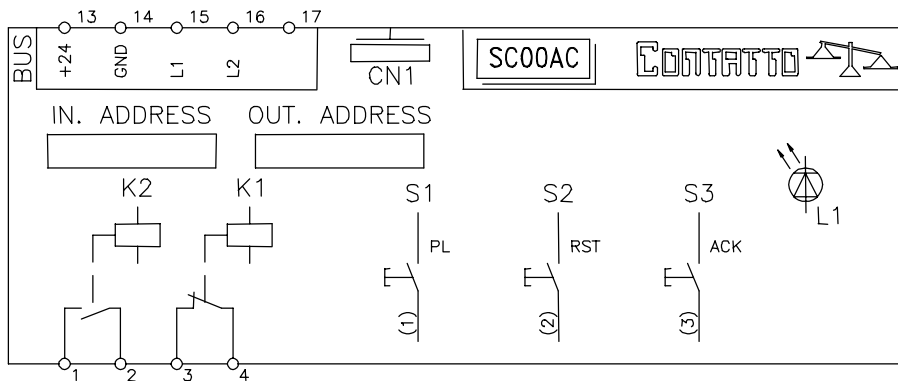
After having removed the cause of the alarm, pressing the reset pushbutton S2 the LED L1 will be green lighted and relay K1 will be energized (flasher OFF). Note that relay K1 works in safety mode.

The acknowledge and lamp test signals are handled by SC00AC card through the proper flat cable. When an alarm occurs, the reset pushbutton will not be enabled prior the pressing of ACK pushbutton.

The input and output addresses programming must be done through the proper FXPRO programmer.

As said above, the status of ACK, RST and lamp test pushbutton is available via bus. In addition it is possible to force, as remote commands given through the bus, the ACK, RST and lamp test functions.

Card connection diagram



Electrical characteristics

Supply voltage:	24Vdc ± 25%
Current consumption:	100mA
Rating of the relays contact:	5A @ 250Vac
Operating temperature:	-10 ÷ +50°C
Storage temperature:	-30 ÷ +85°C