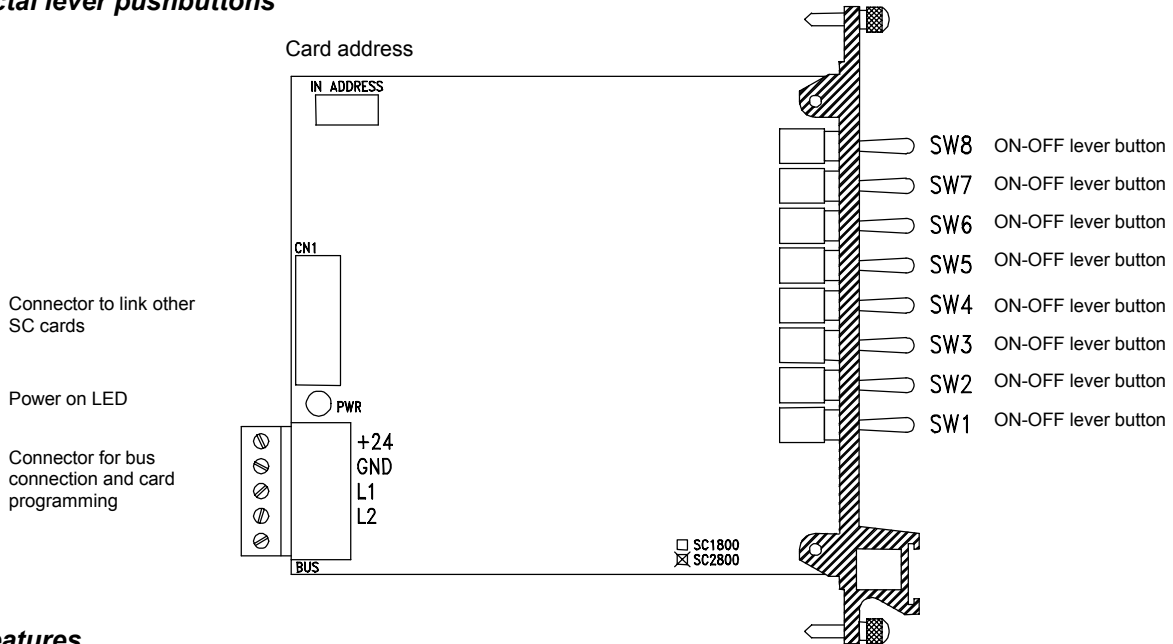
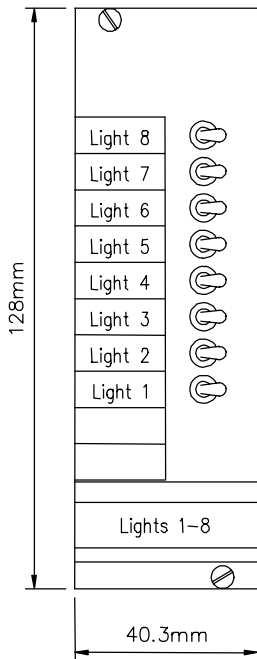


Card mod. SC2800
Octal lever pushbuttons



Features



- SW1, SW2, SW3, SW4, SW5, SW6, SW7, SW8: ON-OFF lever pushbuttons
- CN1: connector to link other cards of the SC family using the proper flat cable
- PWR: LED signalling the power on condition
- BUS: terminal block for card programming and for the connection to the 4-wire bus

On the top of the card, a white labels allow to write, by a permanent marker, the input address of the card.

The card handles the following points as *inputs* (in other words the status of these points can be acquired via bus):

- SW1: input 1 (active when SW1 is ON)
- SW2: input 2 (active when SW2 is ON)
- SW3: input 3 (active when SW3 is ON)
- SW4: input 4 (active when SW4 is ON)
- SW5: input 5 (active when SW5 is ON)
- SW6: input 6 (active when SW6 is ON)
- SW7: input 7 (active when SW7 is ON)
- SW8: input 8 (active when SW8 is ON)

SC1800 card does not provide output points.

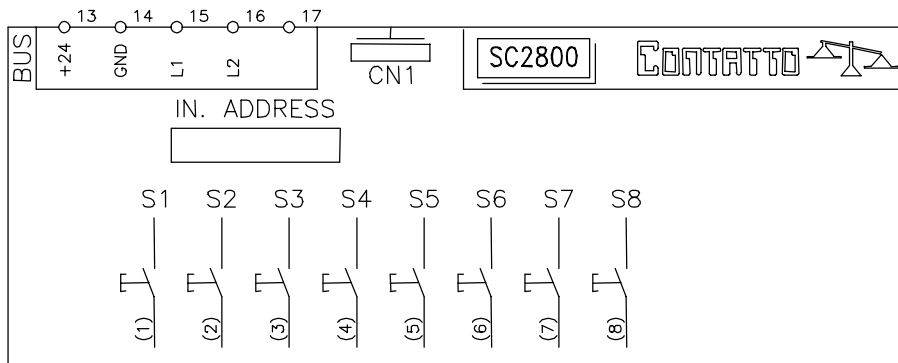
Operation

The position of the switches SW1, SW2, SW3, SW4, SW5, SW6, SW7 and SW8 is available through the bus specifying the address of SC1800 card and the point number as above described.

The presence of a SC00AC card have not any influence on SC1800 card, but the use of the proper flat cable allows to simplify the connection to the bus.

The input address programming must be done through the proper FXPRO programmer.

Card connection diagram



Electrical characteristics

Supply voltage:	24Vdc ± 25%
Current consumption:	100mA
Operating temperature:	-10 ÷ +50°C
Storage temperature:	-30 ÷ +85°C