

ModLC-WM / ModLC-WM-P

ModLC-WM / WM-P: ambient light regulator module with integrated sensors for Brightness and Presence (-P version)

ModLC-WM module allows to transmit, over the **CONTATTO** bus, the ambient brightness value detected by the sensor integrated inside the module itself. This module provides a PID algorithm for the automatic regulation of the ambient brightness and some SMART modes, thus allowing to considerably simplify the programming of the MCP controller when realizing these kinds of applications. ModLC-WM-P also features a built-in presence sensor.

ModLC-WM module can thus be well applied in the brightness regulation of offices, stores and open spaces, allowing to develop applications complying with the new European norms about the energetic classification of the plants (European Norm EN 15232).

ModLC-WM module is suitable for wall mounting; the sensor detects the light reflected by the surface under it (for instance the floor or a desk). The special integrated sensor has the same spectral sensitivity of the human eye.

The module features a 7-way removable terminal block for the connection to the **CONTATTO** bus and, if required, to presence sensors (e.g. **DUEMMEGI** SRP) that must work in parallel connection with internal sensor (if -P version).

ModLC-WM module, for its operations, can work only in systems equipped with MCP XT or MCP 4. The housing is plastic material with IP20 protection degree.

Note: this technical sheet applies to ModLC-WM and ModLC-WM-P equipped with FW 2.5 or higher.

Address programming

ModLC-WM module takes one input address and, if enabled, one output address with the same value; the address has to be assigned by the FXPRO programmer through the proper programming cable inserted in the connector placed inside the module.

Wiring diagram

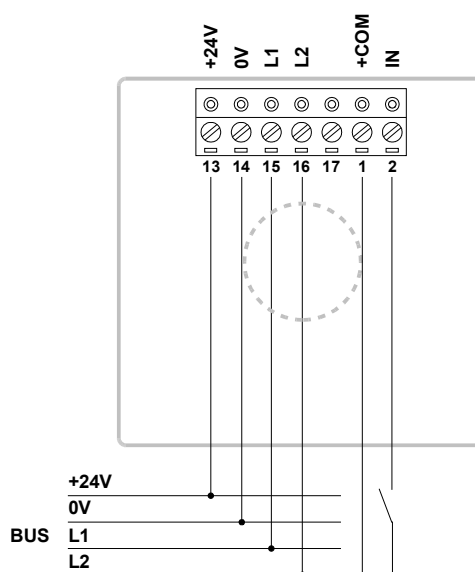
The following schematic diagram shows the connections to the **CONTATTO** bus.

The input (IN) may be used for the connection to one or more presence sensors that, for -P version, will work in parallel connection with the internal sensor; the contacts of these sensors, which must be potential free, must be connected between the terminals +COM and IN.

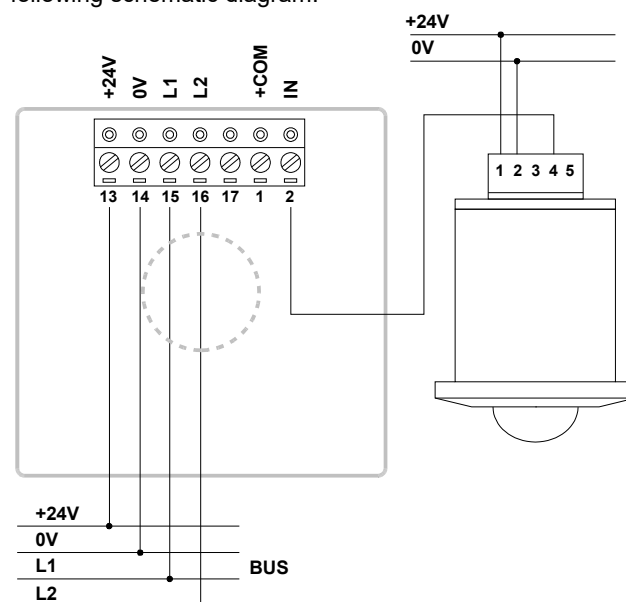
Anyway, take in account that terminal 1 is a 24V voltage output to supply the external contact, which, as said before, must be potential free. The terminal 2 is the digital input of the module and can be also activated by a continuous positive voltage, referred to 0V, inside the range 10 to 30V.



Connection to the contact of a presence sensor:



If using a **DUEMMEGI** SRP presence sensor, refer to the following schematic diagram.



ModLC-WM / ModLC-WM-P

If more SRP presence detection modules are required, they can be parallel connected.

Detection characteristic

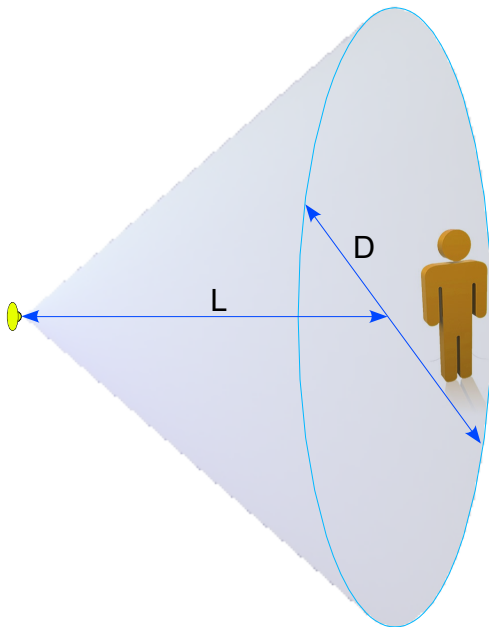
The presence sensor (-P version), as said above, can detect the movement in the range of 10 meters, in the perpendicular direction in respect to the module surface.

When a person is moving, thanks to the detection of infrared radiation emitted by the body, the sensor will be able to detect the movement.

For the calculation of the covered area refer to the following formula:

$$D = L \times 2.38$$

where D is the diameter of the cone basis and L is the distance from the sensor, as shown in the following figure.



Therefore the detection area (cone basis) increases when the sensor is far (inside the limit of 10 meters about); take this in account when positioning the module.

Installation hints

The correct positioning of the sensor plays a fundamental role in the application of automatic light regulation. Even if it is hard to give a general rule for the positioning of the sensor, because each specific case could be evaluated, as approximated general rule the sensor could be installed on the wall, at a height of 2.30 meters about, in a proper position avoiding the *direct* incidence of external light entering from windows or other openings.

This because, on the contrary, the direct light should be predominant in respect to the reflected light that is, at the end, the light to be regulated (because, generally, the purpose is to make constant the illumination of the working desks).

For instance, in the case of a room with two windows on the same wall, the sensor may be placed on the same wall between the two windows, with sensor toward the interior of the room. Also, a "stable" surface must be "seen" by the sensor: this surface must be at a constant distance from the sensor and it must have always the same color (it may be the floor or a desk or other). Take in account that the sensor is oriented 45 degrees about in respect to the wall.

The height and position for proper installation must be however evaluated taking in account also the presence sensor and the physical shape of the room. Given that the presence detection is based on the detection of infrared emissions, it is good practice to take in account also the following aspects related to the use and to the installation of ModLC-WM-P module, in order to avoid errors in the detection by the sensor itself.

Detection of heat sources other than a human body

The following cases show various situations where detection mistakes by the detection sensor may happen.

- x small animals entering in the detection range
- x infrared emissions from sunlight, incandescent light or some other sources of far infrared rays
- x sudden change of the temperature due to the entry of cold or warm air from an air-conditioning or heating unit or water vapor from a humidifier

Bad conditions for the detection

- x the detection of movement by the sensor could be disturbed by the presence of glasses objects, acrylic or other materials that may shield the infrared rays
- x a heat source not moving or moving too quickly or moving too slowly may be undetected by the sensor
- x the sensor is less sensible when the temperature of the moving body is near to the ambient temperature

Other handling cautions

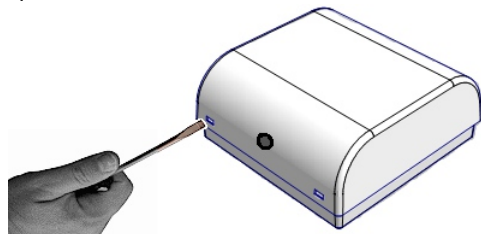
- x be careful to keep clean from dust or dirt accumulating on the lens because this will adversely affects the detection sensitivity
- x the lens is made by a soft material (polyethylene); avoid applying a load or impact since this will deform or scratch the lens
- x to cleaning the sensor avoid the use of fluids that may enter inside the sensor causing a deterioration

To install ModLC-WM sensor, follow the steps here bottom described.

ModLC-WM / ModLC-WM-P

Opening of the module

Find the two fissures where the small dull teeth of the rear panel are housed (normally on the bottom side). Insert the tip of a small screwdriver in one of these fissures so that the rear panel releases towards the outside. Then insert the screwdriver in the other fissure so to extract completely the rear panel.



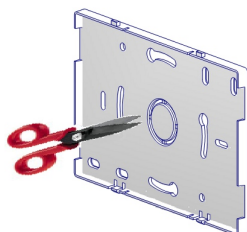
Address assignment

Insert the proper connector of FXPRO programmer in the blue connector on the rear side of the electronic card and assign the base address following the normal procedure of all **CONTATTO** modules.



Connection

Open the hole on the rear panel helping yourself with a small pin-cers or a pair of scissors. Insert the wires (those of the bus and eventually those of the input) in the hole of the rear panel; fix the rear panel to the wall, placing attention to its orientation (see the UP label on the rear panel itself).

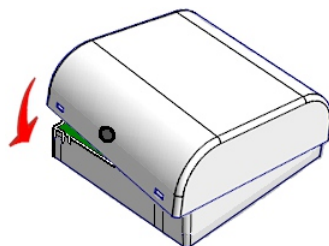


Be sure that no voltage is present on the wires.

Connect the wires to the terminal blocks of the electronic card according to schematic diagram.

Closing of the module

Place the top side of the cover on the rear panel fixed to the wall, so that the two teeth on the top side of the rear panel itself fit in the related fissures and, at the same time, the connector of the electronic card fits into the terminal block. At this point, delicately push the bottom side of the cover towards the rear panel, until the two dull teeth on the rear panel fit in the related fissures of the cover.



Automatic regulation of the brightness

ModLC-WM module features a PID regulation algorithm (Proportional Integral Derivative). This allows to implement a system for the automatic brightness regulation: fixed the desired setpoint ⁽¹⁾, ModLC-WM module will calculate autonomously the optimal value which, sent to the dimmer of the luminous source, will allow to reach and maintain that setpoint.

Therefore this system for the automatic regulation will constantly follow the assigned setpoint, thus compensating the external environmental contributions like, for instance, the increasing or decreasing of the light quantity coming from the windows of the room being automatically regulated.

The speed at which the regulation system reaches the setpoint can be adjusted changing the regulation parameters Ki and Ki Fine; increasing the value of Ki ⁽²⁾, the system will reach the setpoint quickly.

It is also possible to define a range around the setpoint (Zone Ki Fine) where the control change from the normal Ki to the Ki Fine; in this way the speed will be reduced in order to approaching to the setpoint with better precision, avoiding as much as possible overshoots and oscillations. Once the setpoint has been reached, the regulator will not execute other operations during all the time the measured value falls inside a range, called dead zone; this dead zone, in addition to Ki and Ki Fine, can be defined during the setting up.

ModLC-WM module also allows to define a ramp value to be sent to the dimmer in order to avoid discontinuous light changes, with a bad optical effect, when increasing or decreasing the brightness of the lamp.

⁽¹⁾: the setpoint is defined as the brightness value that the automatic regulation system has like target to be reached and maintained.

⁽²⁾: an excessive speeding up of the system may generate instability events, also appearing as periodic switching on and off of the light source.

For details about the meaning and the setting of the several parameters available for the automatic regulation, refer to the paragraph "Configuration of ModLC-WM module".

ModLC-WM / ModLC-WM-P

SMART mode

To realize a system of automatic regulation of ambient light, with or without presence sensor, it is possible to use ModLC-WM module in conjunction with proper programming of MCP controller, according to the application requirements.

ModLC-WM module, however, features the SMART mode operation: in practice it is possible to choose among some predefined modes of operation, which generally cover most of real cases; therefore, it will be enough to select the desired SMART mode, among the available options, and the module will autonomously manage all the operation logic and regulation, including the management of the local pushbutton for manual adjustment, the presence sensor, the automatic/manual switching and so on. In this way, the programming of MCP will be reduced to "turn" the contents of the input channel 2 input of ModLC-WM to the dimmer module or to ModDALI module (in the case of systems with DALI lighting).

ModLC-WM module can therefore work in traditional way (that means absolutely equivalent to ModLC-WM with firmware version lower than 2.0) or in SMART mode. The predefined SMART modes will be described in the following. In all cases, ModLC-WM will place on its input channel 2 a value or a command code to be sent to dimmer or to a DALI group.

In the following description "One Touch" means a short press of the local button (less than 400ms).

In all cases, adjustments and switchings can be performed by a supervisor acting on the output points of CH4 or on the value of output channel CH2 (see paragraph Information on the bus).

Mode SMART 1

Arrangement for the typical zone:

- ModLC-WM module
- Presence sensor of ModLC-WM
- Local button connected to Ix.y; One touch on this button toggles between AUTO and OFF

From FW version 2.1, an option for SMART1 has been added, depending on the status 0 or 1 of point 6 channel 4 of output address (Ox:4.6).

Operation with Ox:4.6=0:

Starting with lights OFF, the AUTO brightness regulation will be activated at the presence detection. One Touch pressings on the local button will toggle the system between AUTO and OFF. Long pressings on the local button will switch the system in MANUAL mode and activate the mono-command (the light increases or decreases for all the time the button is pressed). When the time delay related to the presence sensor elapses, the system will be turned off regardless of the condition in which it was (AUTO or MANUAL).

Operation with Ox:4.6=1:

Starting with lights OFF, nothing happens at the presence detection, because the the turn ON in AUTO mode can occur only by One Touch pressing on the local button. Successive One touch pressings will switch the system between AUTO and OFF.

Long pressings on the local button will switch the system in MANUAL mode and activate the mono-command (the light increases or decreases for all the time the button is pressed). When the time delay related to the presence sensor elapses, the system will be turned off regardless of the condition in which it was (AUTO or MANUAL).

Mode SMART 2

Arrangement for the typical zone:

- ModLC-WM module
- Presence sensor of ModLC-WM
- Local button connected to Ix.y; One touch on this button switches the system to MANUAL mode and toggle the light level between 0% and K% (K = 1 to 100)

Operation:

Starting with lights OFF, the AUTO brightness regulation will be activated at the presence detection. One Touch pressings on the local button will switch the system to MANUAL and they will toggle the lights alternately between 0% and K% (K must be set during configuration of ModLC-WM). Long pressings on the local button will switch the system in MANUAL mode and activate the mono-command (the light increases or decreases for all the time the button is pressed). When the time delay related to the presence sensor elapses, the system will be turned off regardless of the condition in which it was (AUTO or MANUAL).

Mode SMART 3

Arrangement for the typical zone:

- ModLC-WM module
- Presence sensor of ModLC-WM
- Local button connected to Ix.y; One touch on this button switches the system to MANUAL mode and toggle the light level between 0% and last stored value

Operation:

Starting with lights OFF, the AUTO brightness regulation will be activated at the presence detection. One Touch pressings on the local button will switch the system to MANUAL and they will toggle the lights alternately between 0% and the last value which has been stored after a manual adjustment. Long pressings on the local button will switch the system in MANUAL mode and activate the mono-command (the light increases or decreases for all the time the button is pressed). When the time delay related to the presence sensor elapses, the system will be turned off regardless of the condition in which it was (AUTO or MANUAL).

Mode SMART 4

Arrangement for the typical zone:

- ModLC-WM module
- Without presence sensor (it is better to use ModLC-WM without integrated presence sensor)
- Local button connected to Ix.y; One touch on this button toggles between AUTO and OFF

Operation:

Starting with lights OFF, a One Touch pressing on the local button will activate the AUTO brightness regulation; another

ModLC-WM / ModLC-WM-P

er One Touch pressing will switch OFF. Long pressings on the local button will switch the system in MANUAL mode and activate the mono-command (the light increases or decreases for all the time the button is pressed). To switch OFF after a mono-command, a One Touch pressing must be performed.

Presence sensor and digital input

As said before, ModLC-WM module provides a digital input (ON/OFF, which can be set as NO/NC) which, for -P version, is parallel connected to the internal presence sensor.

When activating the sensor (or the input), the point 2 of the input CH4 of ModLC-WM will be activated; when deactivating the sensor (or the input), the point 2 remains activated until the expiring of a delay time which can be configured, during the setting up, in the range 0 to 3600 seconds (1 hour). This behavior allows to send to MCP, with the chosen delay, the information about the deactivation of the digital input, in order to switch off the light source with a given delay in respect to the last detected presence.

Information on the bus

As said before, ModLC-WM module takes, inside the **CONTATTO** bus, 1 input address and, if enabled, 1 output address, both made by 4 channels 16-bit.

Input section:

This section reports the following information:

Point	CH1	CH2	CH3	CH4
1				Status Aut.Reg.
2				Status IN+delay
3				-
4				-
5				-
6	Value proportional to the brightness detected by the sensor	Calculated value for the automatic brightness regulation	Not used	-
7				-
8				-
9				-
10				-
11				-
12				-
13				-
14				-
15				-
16	-			

The meaning of this input information will be here described in detail.

CH1: Channel 1 reports a value proportional to the brightness detected by the sensor, eventually multiplied by the parameter K Light Sens.

CH2: Channel 2 reports the value or the command code to be sent to the dimmer or to the DALI group, in order to execute the required functions, through proper programming of MCP (see examples in the following).

CH4

Channel 4 reports two digital points:

- Point 1: the status of the automatic regulation (1 when it is activated); this point always reflects the status of the output CH4 point 1.
- Point 2: the status of the presence sensor (or of the digital input), including the delay chosen during the setting up (see the related paragraph). This point will be activated if the sensor is activated or if the delay time, in respect to the last presence detection, has not been elapsed yet.

Output section

The module can have, as said before, an output address too, for the setting via bus of some operating parameters; this address has to be enabled, if needed, through the configuration panel of ModLC-WM module, as described in the following. The output section reports the following information:

Point	CH1	CH2	CH3	CH4
1				Activate Aut.Reg.
2				Reset IN Delay
3				Reset Aut.Reg.
4				Global Reset
5				Virtual Button
6	Set the setpoint for the automatic brightness regulation	Preset	Set the deactivation delay time of the occupancy sensor	No ON by pres.
7				Occupancy forcing
8				-
9				-
10				-
11				-
12				-
13				-
14				-
15				-
16	-			

The meaning of this output information will be here described in detail.

CH1

Channel 1 allows to set the desired setpoint value for the brightness regulation; in practice, when the system is regulating, the value of input CH1 will be equal (or very near) to the value of output CH1. Allowed value for output CH1 ranges from 0 to 1000.

CH2

Output channel 2 is meaningful only if ModLC-WM module has been set to a SMART mode.

Writing a value on this channel (exclusively in the range 0 to 100), the system will be switched to MANUAL mode and this value will be copied to input CH2, so that automatically it will be then transferred to the dimmers (or DALI group) by MCP. This is useful to impose a fixed value of light from the supervisor or similar devices.

ModLC-WM / ModLC-WM-P

When the Preset is activated, that means when output CH2 has a value between 0 and 100, *the presence sensor, if installed, will be ignored* (in order to prevent the lights turn ON and OFF caused by the sensor); the local button too will have non effect (regardless if it is the "physical" button or the point 5 of output CH4 output, see below).

Otherwise this channel will contain the value 128 indicating that the Preset is not active.

To exit the Preset mode, activate the point 4 of output CH4 (Global Reset, see below), or switch to AUTO mode activating the point 1 of CH4; in this case, the value on CH2 will be automatically set to 128.

CH3

Channel 3 allows to set the deactivation delay time of the occupancy sensor (seconds).

CH4

Channel 4 allows to perform the following actions:

- **Point 1: Activate Automatic Regulation.** When activated, it enables the automatic regulation, therefore ModLC-WM module calculates the value to be placed on input CH2 to reach and keep the setpoint specified by output CH1. When deactivated, ModLC-WM module stops the calculation and the input CH2 holds the last calculated value; to reset this value, the point 3 described in the following has to be activated. *In SMART mode, this point will be automatically managed by ModLC-WM module itself.*
- **Point 2: Reset IN Delay.** When activated it forces the expiring of the deactivation delay time of the digital input; this point works on the level: the delay time will be always zero if it remains activated.
- **Point 3: Reset Automatic Regulation.** When activated it disables the automatic regulation, it deactivates the point 1 of the same output channel and it reset the input CH2 (and this means, normally, that lights will be switched OFF); if this point remains in its active state, it will not possible the activation of the output point 1, therefore it will not be possible the activation of the automatic regulation. *In SMART mode, unless a particular function has to be obtained, this point must not be modified.*
- **Point 4: Global Reset.** When activated a global reset will be performed, thus a reset of automatic regulation, a clear of IN delay and a zeroing of input CH2. As long as this point remains activated, everything remains locked, including the detection of the digital input of ModLC-WM and of the local pushbutton (of course the communication on the bus remains in operation); then this point may be used by the supervisor to disable the ignition of the lamps. When this point goes deactivated, the system starts normally according to how it was configured and according to the situation of that moment.

- **Point 5: Virtual Button.** Controlling this output point, the same functions related to the local "physical" button, for the selected SMART mode, can be achieved; this point is therefore useful to have a button on the supervisor (or on WEBS page) with functions similar to those of the "physical" button (keep in mind that One Touch features, when allowed, may not work properly due to delays introduced by the communication between the supervisor, MCP and ModLC-WM).
- **Point 6: No ON by pres.** When active, the switching ON in SMART1 does not happen by presence sensor but by local button only.
- **Point 7: Occupancy forcing.** When activated, it forces the occupancy in ModLC module; in other words, this output point behaves as if it is the "physical" occupancy input of ModLC. This point is useful, for example, when the occupancy of a ModLC module must set the occupancy in another ModLC module.

Configuration of ModLC-WM module

Note: in the following, the terms ModLC and ModLC-WM will be absolutely equivalent.

The configuration available in MCP IDE allows to set the parameters of ModLC module through MCP and the **CONTATTO** bus; this operation, to be executed during the setting up, will be here described. From the main menu of MCP IDE select Configuration, Sensors and then MODLC >= 2.5; the following window will be shown:

ModLC-WM / ModLC-WM-P

Note: the "Not Included" option, when checked, allows all the parameters displayed on the panel to be sent to the ModLC except for the Regulation Parameters. This option is useful when you want to program several ModLCs (also with the "Multi" option) without modifying the regulation parameters.

The meaning of the fields and of the buttons in this window will be here described.

Module Address: it is the address of ModLC module to be configured or to be read.

Multi: to program all ModLC modules whose address is between Module Address and "to"

Output Address: checking this option, the output address of ModLC will be enabled (the value of the output address will be the same assigned to the input).

Read: to read the parameters from ModLC and to show them into the window.

Program: to transfer the parameters currently shown in the windows to ModLC module.

Default: to restore the module parameters to default values

ID & Ver: to check that ModLC module with the specified address is connected to the BUS and to show the firmware version.

Close: to close the configuration panel.

Regulation parameters

Ki (integral coefficient): this parameter, multiplied by the error value ⁽³⁾, defines the amount of the increase or decrease, in respect to the previous value, of the value to be sent to the dimmer (CH2 of the input section); this parameter will be taken in account only when the measured value is outside the zone of Ki Fine (then far from setpoint, see later). Increasing the value of Ki, the system will reach the setpoint quickly; when the distance from the setpoint is lower than a given value (see Amplitude of Ki Fine Zone), the coefficient changes to Ki Fine defined in the following point. In this way the approaching to the desired setpoint occurs with more precision (and without oscillations); of course, Ki Fine must be lower than Ki. Allowed values for Ki: 0.001 to 0.999.

⁽³⁾: the error is defined as the difference between the setpoint and the brightness value measured by the sensor.

Ki Fine (fine integral coefficient): as for the Ki described at the previous point, but with lower value; this parameter will be considered when the measured value is near to the setpoint (see Amplitude of Ki Fine Zone). For the optimal Ki Fine values, see the table at the end of this paragraph. Allowed values for Ki: 0.001 to 0.999.

Ki Fine Zone Width: it defines the zone around the setpoint where the fine integral coefficient will be applied.

Dead Band (DB): it defines the zone around the setpoint where the automatic regulation algorithm does not execute any calculation; therefore, if the measured value falls inside this zone, no new values will be sent to the dimmer. This value can be 0, and in this case the precision in regulation will be the best (but oscillations can occur).

Dead band at zero (DBZ): when the regulator has calculated an output value equal to zero, the dead band becomes equal to this parameter, which must be greater than that of the previous point. It is used to avoid ON-OFF oscillations when the calculated level is zero.

Set Ramp: it defines the value of the working ramp of the dimmer during the automatic regulation; the ramp allows to avoid discontinuous light changes during the automatic regulation.

Threshold setting

No Threshold: no threshold will be applied.

Minimum Value: it defines the minimum value which can be sent to the dimmer (as percentage value) when the brightness automatic regulation is running. This parameter is useful when it is required to never switch off the lamps, even if the brightness read by the sensor is very higher in respect to the setpoint.

OFF Threshold: it defines a brightness value on the dimmer output (as percentage value) under which the lamps have to be switched off. This parameter is useful when the lamps should be dimmed to a so low value that the luminous contribute is near to zero, therefore it is more convenient to completely switch off the lamps.

Presence delay: this parameter is the time that must elapse (in seconds) after deactivation of the presence sensor (internal or connected to IN) before the information is sent on the bus.

K Light Sens.: the value read by the light sensor is multiplied by the value specified for this K, allowing to scale the brightness value transmitted on the bus as desired. If this K is 1, the brightness value on the input channel 1 is exactly what the sensor measures. For different values, the value on the bus will be the "native" value multiplied by K. This function is useful if you want to "align" the value read by a reference luxmeter (eg located on the working plane) and the value reported by the ModLC. The same scaling, if K is different from 1, also occurs on the setpoint, so that the two values are congruent. Allowed values for K: from 1.0 to 15.8 included.

Digital Input 1

Normally Closed: when checked, the unique input is set for normally closed contact (only for ModLC-WM, in the case of ModLC-WM-P it must be left on NA).

Digital Input 2

Not used.

SMART Setting

This section of the configuration window allows to choose if ModLC module has to work in "No Smart" mode (thus emulating the behavior of ModLC with firmware lower than 2.0), or according to one of the available 4 SMART modes as described in the related paragraph.

When selecting one of the 4 SMART modes, the parameters that will be time to time enabled as necessary for that mode must be set. In detail:

ModLC-WM / ModLC-WM-P

Smart 1 requires the setting of address, channel and point to which the local button has been connected.

Smart 2 requires the setting of address, channel and point to which the local button has been connected and the value at which the lights must be switched on at One Touch pressing.

Smart 3 requires the setting of address, channel and point to which the local button has been connected and if the lights belong to a DALI system, in which case the related option must be activated (otherwise **CONTATTO** dimmer modules will be assumed).

Smart 4 requires the setting of address, channel and point to which the local button has been connected or, as option, to choose whether the local button is connected to the digital input of ModLC (in this case the input delay will be ignored).

The button ? in the configuration window recalls a help window describing the available Smart modes, in order to have a quick reference when choosing the proper operation.

To set the parameters of the light regulator, the following the following procedure is recommended:

- x darken the ambient from sources of external lights (or perform the procedure after sunset or in a dark day)
- x **Set K Sens. Light at 1 (important)**
- x force zone lights to be adjusted to 100%
- x read the brightness value Lfs (full scale brightness) measured by the ModLC
- x the optimal values of the parameters Ki, Kif, AZ Kif, DB and DBZ (respectively Ki, Ki Fine, Ki Fine Zone Width, Dead Band and Dead Band at zero) are those in the table on the line closest to measured Lfs

Lfs	Ki	Kif	AZ Kif	DB	DBZ
100	0,170	0,065	5	0	5
200	0,095	0,037	10	1	10
300	0,070	0,027	15	1	15
400	0,058	0,022	20	2	20
500	0,050	0,019	25	2	25
600	0,045	0,017	30	3	30
700	0,041	0,016	35	3	35
800	0,039	0,015	40	4	40
900	0,037	0,014	45	4	45
1000	0,035	0,013	50	5	50

These values can however be adjusted based on the characteristics of the application. Please note that large value for Ki and Kif could cause fluctuations.

MCP programming examples

For proper operation, it is *absolutely mandatory* to add to MCP configuration the directive **FIELDtoRAM** for output CH2 and CH3 and for point 1 of output CH4 related to all installed ModLC (provided that the output section of ModLC has been enabled, otherwise this directive can be omitted). If, for instance, 2 ModLC modules addressed as 1 and 2 have been installed, the following directive must be added to MCP configuration:

```
FIELDtoRAM = ( AO1:2, AO1:3, O1:4.1, \
                AO2:2, AO2:3, O2:4.1 )
```

Example 1: No smart

If ModLC is used as simple sensor of light, then the output address of the module should be disabled because it will not be used; in this case, MCP needs only the following configuration directive (supposed to have assigned the address 1 to ModLC module):

```
MODLC = ( I1 )
```

At this point, the read brightness value (CH1 input) and the status of the digital input (CH4 input, point 2) will be available; the digital input information will include or less the delay as it has been configured (see the related paragraph).

The value and the status can be then used in the equations and/or in the script of MCP in order to implement the wanted functions.

Example 2: No smart

A simple system for the automatic regulation can be made by a lighting device controlled by a dimmer module (for instance Mod2DV or Mod2DM) and by the presence detection sensor **DUEMMEGI** SRP connected to the input of ModLC whose output address has been enabled. Supposing to have assigned the address 100 to Mod2DM and 1 to ModLC, the configuration of MCP must include the following directives:

```
MODLC = ( I1, O1 )
MOD2DM = ( I100, I101, O100, O101 )
FIELDtoRAM = ( AO1:2, AO1:3, O1:4.1 )
```

Fixed a value for the setpoint, writing its value on the output CH1 of ModLC, the application requires that, as soon as a presence is detected, the lamps switches on and the automatic regulation is activated. At the deactivation of point 2 of the input channel CH4, that means after the delay time has expired from the last detected presence (see previous paragraph), the lamp must be switched off.

To obtain this behavior, MCP controller must be programmed with the following equations:

```
O1:4.1 = I1:4.2
AO100:1 = AI1:2
O1:4.3 = !I1:4.2
```


ModLC-WM / ModLC-WM-P

The first equation activates the Auto bit at the activation of the digital input of ModLC, corresponding to the detection of a presence. When ModLC module is in Auto mode, the values (in the range 0 to 100) to be sent to the dimmer will be available on the input channel CH2, thus allowing to reach and keep the desired setpoint; therefore, it will be enough to send these values, through MCP, to the dimmer, and this is done by the second equation.

The third equation, finally, activates the Reset Auto bit at the deactivation of the input point 2 of CH4 (presence plus delay), thus zeroing the value to be sent to the dimmer and causing the lamp switching off.

Example 3: Smart 1

In addition to the operating mode of the previous example, the application requires a button performing the classic "single command" function, allowing to manually adjust the brightness of the lamp; in other words, pushing and holding down this button, the brightness must increase or decrease, keeping the reached value at the release of the same button.

When the system has the automatic regulation activated, a short push (less than 0.4 seconds) on the button will switch off the light.

In any case, when no more presence is detected (included the delay time), the lamp will be switched off. When a new presence is detected, if Ox:4.6=0, the system will return to the light automatic regulation, otherwise (Ox:4.6=1) the switching ON can occur by local button only.

In practice, the operation (Ox:4.6=0) is the following:

an employee goes in its office, the presence will be detected by the sensor **DUEMMEGI** SRP and the light will be switched on in automatic regulation. If the employee wants to increase the brightness, then he pushes and holds down the button; if instead he wants to decrease the brightness, he releases the button and then he pushes and holds down it again. When the brightness satisfies the employee, he releases the button and the lamps will maintain the reached brightness value. To switch OFF the lights, the employee will execute a short pushing on the button; to switch ON them again, another short pushing is required.

If the employee exits from its office and he does not enter again for a time longer than the programmed delay, the light will be switched off. When the employee enter again in the office, his presence will be detected and the system will start again in automatic regulation mode, even if the employee had manually adjusted before the brightness.

The operation just described, is exactly the Smart 1 mode, therefore ModLC must be set for this mode. Assuming that the button is connected to a local Mod8I/A with address 50, and that the zone is controlled by a Mod2DM dimmer module with address 100 and 101, the MCP configuration must contain the following directives:

```
MODLC = ( I1, O1 )
MOD2DM = ( I100, I101, O100, O101 )
MOD8I/A = ( I50 )
FIELDtoRAM = ( AO1:2, AO1:3, O1:4.1 )
```

The program of MCP, thanks to Smart mode of ModLC, will be simply the following:

```
AO100 = AI1:2
AO101 = AI1:2
```

To control more dimmer modules from the same ModLC, it is enough to add rows of equations like the previous ones.

When using a DALI system (interfaced by ModDALI module), instead of dimmer modules of **CONTATTO** family, it will be easier to use the specific equation. Suppose to realize a system made by 4 offices, each one with its ModLC configured with one of the available Smart modes.

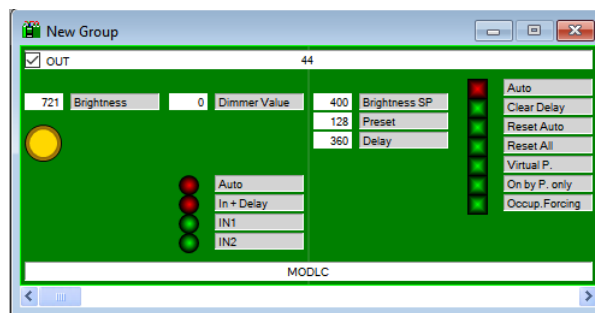
Also suppose that a DALI group each office has been assigned to each office (e.g. G1, G2, G3 and G4). To transfer the value or the command proposed by each ModLC (contained in the input CH2) to the respective group, the DALI equation may be used as follows:

```
AO100:1 = DALI ( G1, AI1:2, \
                G2, AI2:2, \
                G3, AI3:2, \
                G4, AI4:2 \
                )
```

where **AO100:1** is the channel 1 of ModDALI controlling the 4 offices and are the related **AI1-AI2-AI3-AI4** ModLC modules.

Mapping

MCP Visio allows to show the map of ModLC module as in the following figure.



Note: if the output address has not been enabled, the right side of the module map (related to the setpoint and digital commands) will be shown in gray color.

Input section

Brightness: it is the brightness value measured by ModLC module (three times the lux value).

Dimmer Value: it is the value that, during the automatic regulation, has to be sent to the dimmer (%).

Digital points:

- x Auto: it shows the status of the brightness automatic regulation
- x In + Delay: it shows the status of the digital input, included the delay time
- x IN1 and IN2, for ModLC-WM and WM-P, are not used

ModLC-WM / ModLC-WM-P

Output section

Brightness Setpoint: it is the brightness setpoint for the automatic regulation (3 times the lux value).

Preset: it is the Preset value; entering a value in the range 0 to 100, the system will be switched to Preset mode and this value will be copied to input CH2, so that automatically it will be then transferred to the dimmers (or DALI group). When it contains a value in the range 0 to 100, *the presence sensor and the local button, if installed, will be ignored*; otherwise this channel will contain the value 128 indicating that the Preset is not active.

Delay: the delay of the presence sensor.

Digital points:

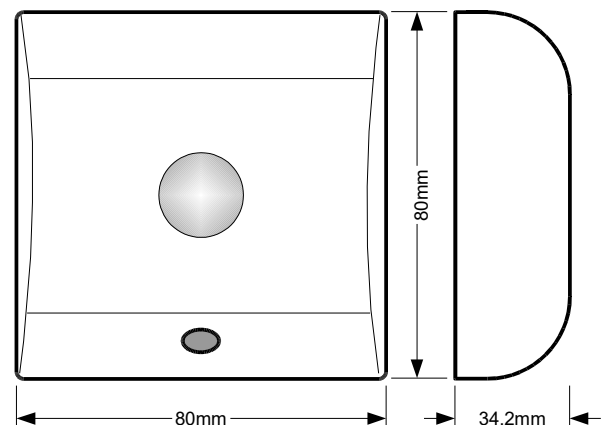
- x Auto: point allowing to enable/disable the automatic regulation
- x Clear Delay: when this point is activated, the delay time of the digital input is forced to zero
- x Reset Auto: when this point is activated, the automatic regulation is disabled and, in addition, the value to be sent to the dimmer is forced to zero
- x Reset All: when activated a global reset will be performed, thus a Reset Auto, a Clear Delay and a zeroing of input CH2
- x Virtual P.: controlling this output point, the same functions related to the local "physical" button, for the selected SMART mode, can be achieved
- x On by P. only: option for mode SMART1
- x Occup.Forcing: forces the occupancy

Technical characteristics

Supply voltage	24V $\overline{\text{---}}$ \pm 25% SELV
MAX current consumption	30mA @ 24V $\overline{\text{---}}$
Sensor type	Photo sensor with spectral response equivalent to the human eye sensitivity
Full scale	350 lux
Resolution	0.3 lux
Measurement error	\pm 5% of full scale value
Presence sensor (-P)	Passive infrared principle (PIR)
Aperture angle	100°
Range of detection MAX	10 meters
Digital input	configurable as NO or NC
Operating voltage	24V nominal
Input current	4mA @ 24V $\overline{\text{---}}$
Operating temperature	-10 \div +50 °C
Storage temperature	-30 \div +85 °C
Protection degree	IP20

Note: this technical sheet applies to ModLC-WM and ModLC-WM-P equipped with FW 2.5 or higher.

Outline dimensions



ModLC-WM / ModLC-WM-P

Correct disposal of the product (waste electrical & electronic equipment)



(Applicable in the European Union and other European countries with separate collection systems). This marking on the product, accessories or documentation indicates that the product and its electronic accessories should not be disposed of with other household waste at the end of their working life. To prevent possible harm to the environment or human health from uncontrolled waste disposal, please separate these items from other types of waste and recycle them responsibly to promote the sustainable reuse of material resources. Household users should contact either the retailer where they purchased this product, or their local government office, for details of where and how they can take these items for environmentally safe recycling. Business users should contact their supplier and check the terms and conditions of the purchase contract. Adequate disposal of the decommissioned equipment for recycling, treatment and environmentally compatible disposal contributes in preventing potentially negative effects on the environment and health and promotes the reuse and/or recycling of equipment materials. Abusive product disposal by the user is punishable by law with administrative sanctions.

Installation and use restrictions

Standards and regulations

The design and the setting up of electrical systems must be performed according to the relevant standards, guidelines, specifications and regulations of the relevant country. The installation, configuration and programming of the devices must be carried out by trained personnel.

The installation and the wiring of the **CONTATTO** bus line and the related devices must be performed according to the recommendations of the manufacturers (reported on the specific data sheet of the product) and according to the applicable standards.

All the relevant safety regulations, e.g. accident prevention regulations, law on technical work equipment, must also be observed.

Safety instructions

Protect the unit against moisture, dirt and any kind of damage during transport, storage and operation.

Do not operate the unit outside the specified technical data.

Never open the housing. If not otherwise specified, install in closed housing (e.g. distribution cabinet).

Earth the unit at the terminals provided, if existing, for this purpose.

Do not obstruct cooling of the units.

Setting up

The physical address must be assigned with the specific programmer and the setting of parameters (if any) must be performed by the specific configuration softwares; for more details refer to the specific data sheet of the product. For the first installation of the device, generally and unless otherwise specified on the specific data sheet of the product, proceed according to the following guidelines:

- Check that any voltage supplying the plant has been removed
- Assign the address to module (if any)
- Install and wire the device according to the schematic diagrams on the specific data sheet of the product
- Only then switch on the 230Vac supplying the bus power supply and the other related circuits

Applied standards

The devices belonging to **CONTATTO** line comply with the essential requirements of the following directives:

2014/30/UE (EMC)

2014/35/UE (Low Voltage)

2011/65/UE (RoHS)

Note

Technical characteristics and this data sheet are subject to change without notice.