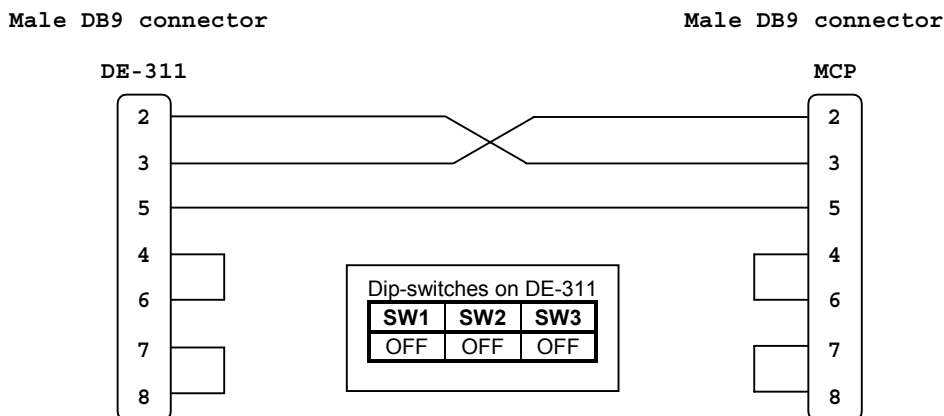


CONNECTION OF MCP TO ETHERNET CONVERTER MOXA DE-311

Introduction

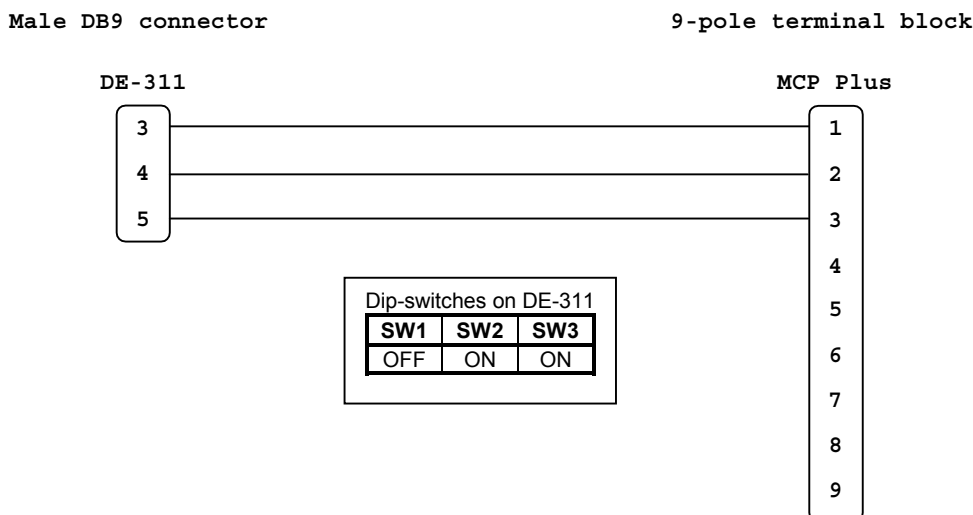
This application note describes the cables to be used for the proper connection between a controller MCP/MOD or MCP Plus and an Ethernet converter MOXA mod. DE-311. Both RS232 and RS485 connections will be described together to the proper settings of the dip-switches of DE-311.

RS232 connection of MCP/MOD or MCP Plus to DE-311



Note: pins not shown must be left unconnected.

RS485 connection of MCP Plus to DE-311



Note: pins not shown must be left unconnected.