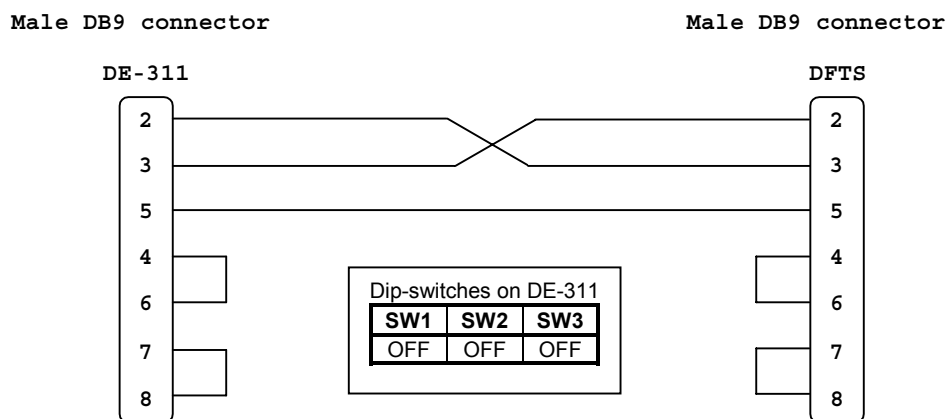


CONNECTION OF DFTS or DFRS TO ETHERNET CONVERTER MOXA DE-311

Introduction

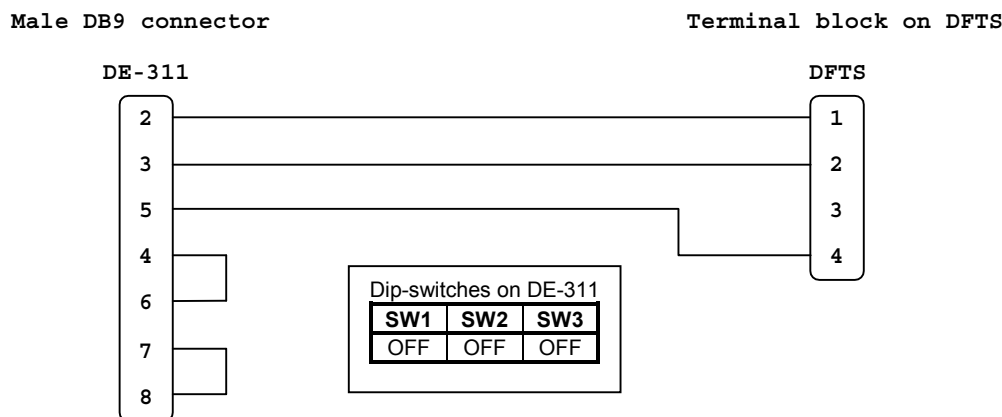
This application note describes the cables to be used for the proper connection between an interface Domino DFTS or DFRS and an Ethernet converter MOXA mod. DE-311. Both RS232 and RS485 connections will be described together to the proper settings of the dip-switches of DE-311.

RS232 connection of DFTS (by DB9 connector) to DE-311



Note: pins not shown must be left unconnected.

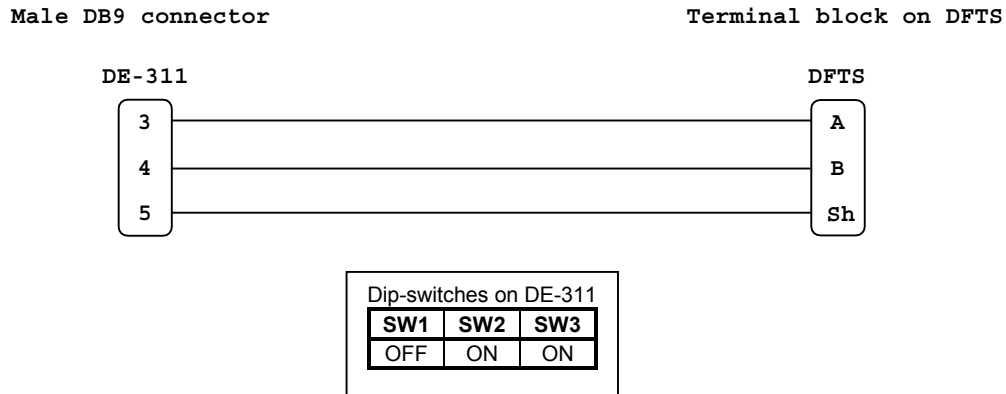
RS232 connection of DFTS (by terminal block) to DE-311



Note: pins not shown must be left unconnected.

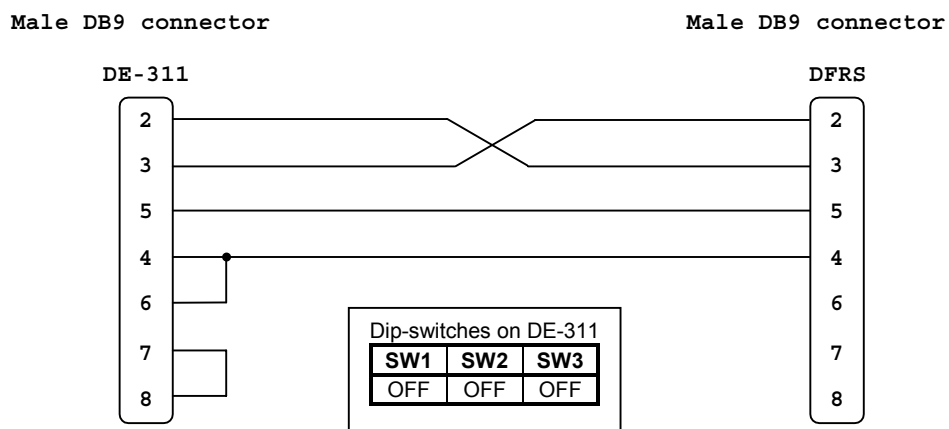


RS485 connection of DFTS to DE-311



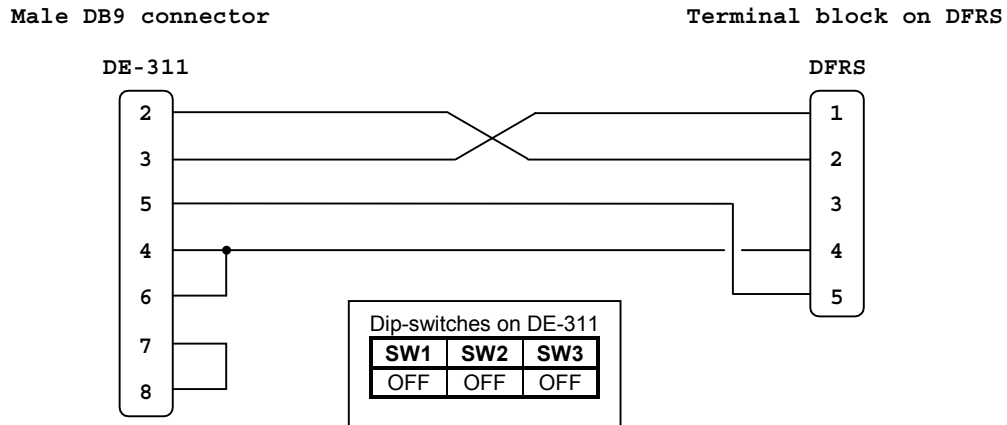
Notes: - pins not shown must be left unconnected
- dip-switches SW1, SW2 and SW3 of **DFTS** must be OFF

RS232 connection of DFRS (by DB9 connector) to DE-311



Note: pins not shown must be left unconnected.

RS232 connection of DFRS (by terminal block) to DE-311



Note: pins not shown must be left unconnected.